



Advance Humidity Pump

with Octagon 20 and 40 Advance EX Upgrade

User Instructions

Contents

<u>Section</u>	<u>Subject</u>	<u>Page</u>
1	Introduction	2
2	Unpacking	3
3	Humidity Pump Installation	3
4	Egg Basket and Divider Cushions	7
5	Operation	7
6	Routine Maintenance	9
7	Troubleshooting	9
8	Service and Calibration	10
9	Specifications	10

Record your appliance serial number here: _____

1 Introduction

These instructions detail the installation and operation of your new Brinsea Advance Humidity Pump. Please read them carefully before setting up your machine to achieve best results and keep these instructions safe for future reference. Used in conjunction with the Octagon 20 or 40 Advance, the Advance Humidity Pump offers convenient and refined control of incubation humidity.

The Octagon 20 and 40 Advance EX Upgrade kit provides extra egg basket dividers and egg cushioning foam.

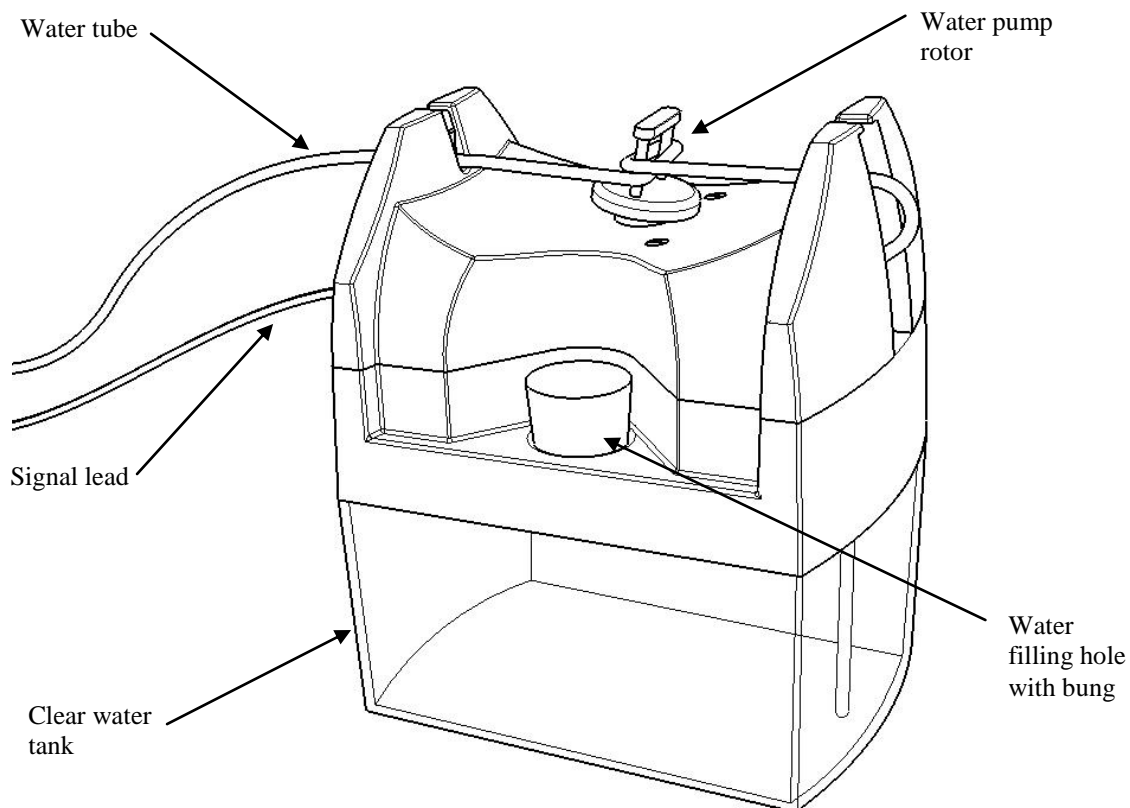
FEATURES:-

- Continuous, permanent metering of relative humidity (%RH)
- Proportional control easily set on incubator
- Sensor unit with high accuracy capacitive sensor
- Pumped water flow - not level dependent

PRINCIPLE OF OPERATION

The sophisticated capacitive sensor (fitted as standard to most Brinsea Advance Incubators) provides a highly accurate measurement of the relative humidity level within the incubator. The Advance Digital Control System displays this % Relative Humidity (RH) level on the LCD display.

The incubator control system provides a signal to the Advance Humidity Pump to operate a tiny water pump which transfers exactly the amount of water required into the incubator to maintain the required relative humidity which is set by the user. The control system compensates for changes in ambient relative humidity level and, within working limits, will maintain a constant relative humidity level.



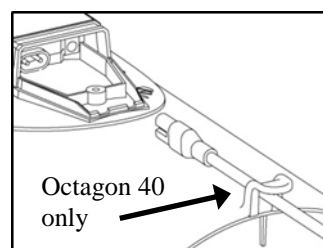
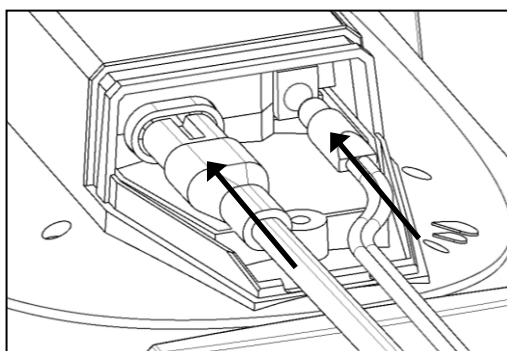
2 Unpacking

The Brinsea Advance Humidity Pump with Octagon 20 EX Upgrade Kit comprises the following quantities of parts (quantities for Octagon 40 in brackets):

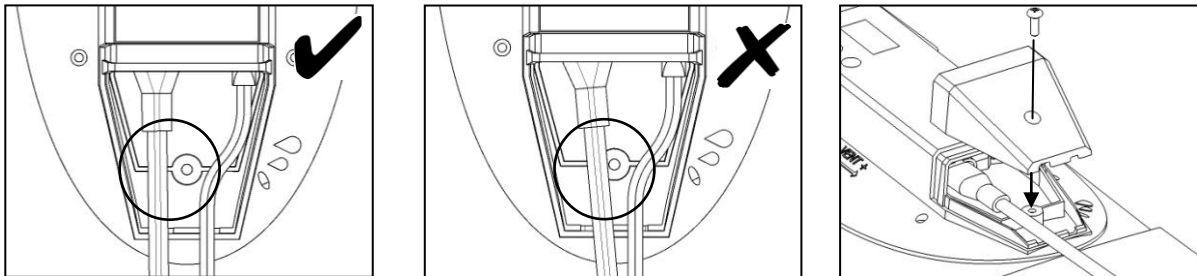
- 1 Advance Humidity Pump unit - free standing unit with water pump and signal lead to connect to Brinsea Advance incubator.
 - 1 Clear Water Tank - 1 litre capacity, larger containers may also be used where required.
 - 1 Rubber Bung – to cover water filler hole.
 - 1 Water tube (8 feet) - silicone rubber tube for interconnecting and for peristaltic pump replacement.
 - 10 Pre-cut evaporating pads.
 - 2(0) Evaporating Pad Clips – to fit pad to incubator.
 - 1(2) Rigid Plastic Tube – to pipe water into the incubator to the evaporating pad (shorter tube for Octagon 40).
 - 2(4) Extra Wire Dividers for Octagon 20 Advance Incubator (4 extra for Octagon 40 Advance).
 - 8(16) Foam Cushions – for wire dividers (16 extra for Octagon 40 Advance).
 - 1(2) Foam Cushion Pad – for lining the egg basket (2 for Octagon 40 Advance).
- 2.1 Remove all tape and packing from the module and parts. Retain the carton and packing materials to enable the unit to be repacked.
 - 2.2 Identify each part and check that they are all present and undamaged. If there are any parts damaged or missing please contact your dealer or Brinsea Products (at the address at the end of the document).
 - 2.3 **Please note that the pump capstan on top of the pump unit is deliberately mounted at an angle.**
 - 2.4 To register your new Brinsea product please visit www.brinsea.co.uk and follow the link on the right hand side of the home page to qualify for your free 2 year guarantee.
 - 2.5 Go to www.brinsea.co.uk and register as a free member of the Brinsea Email Group to receive the latest news and information such as advance notice about new products, special offers, exclusive competitions and much more.

3 Humidity Pump Installation

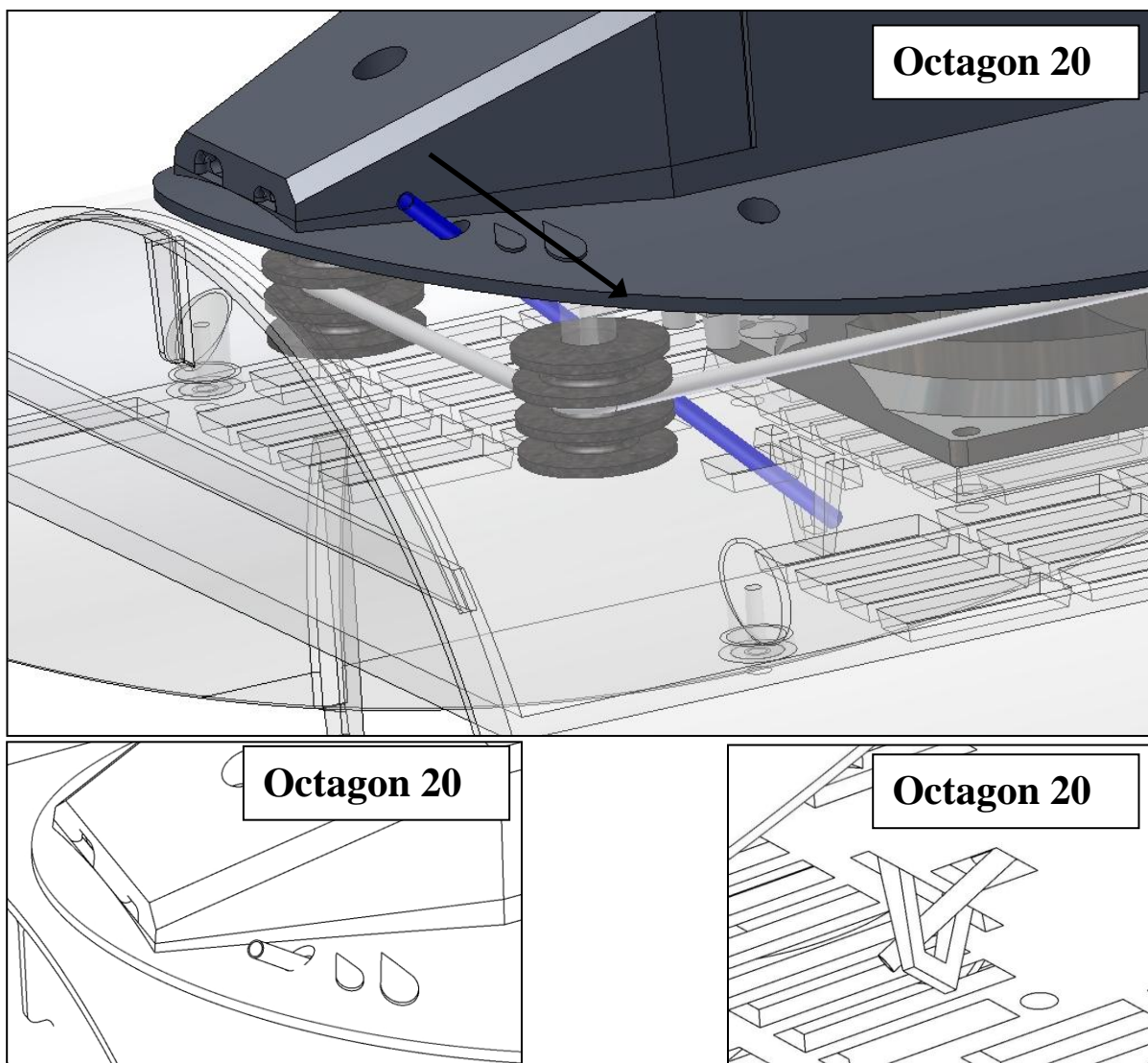
- 3.1 **DISCONNECT THE OCTAGON ADVANCE INCUBATOR FROM THE MAINS SUPPLY.**
- 3.2 Unscrew the Cable Cover.
- 3.3 Fully insert the signal cable plug into the jack outlet in the top of the incubator. Insert incubator power lead if this is the incubator's first use. (Thread the cables and water tube through the lid handle on the Octagon 40).

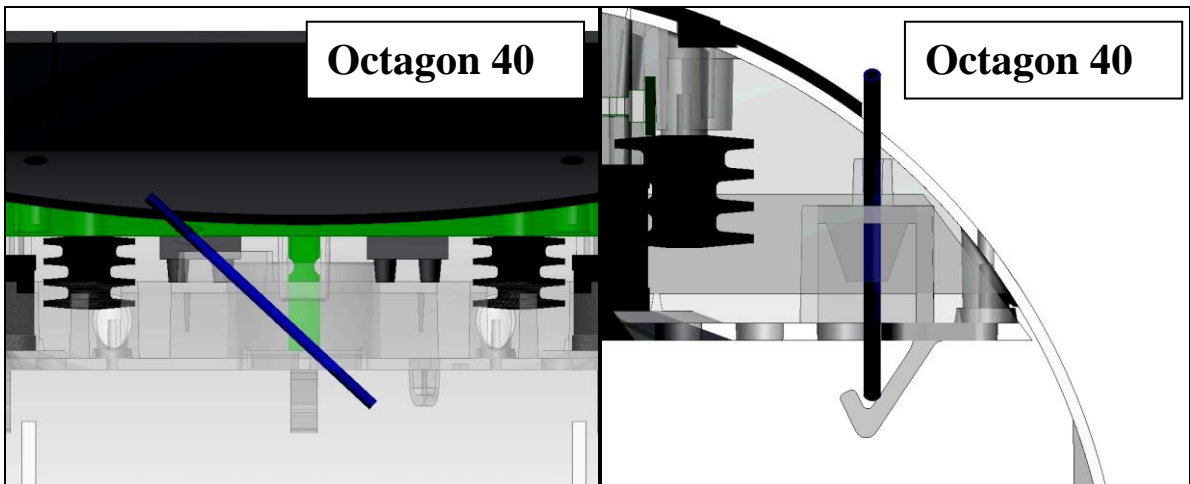
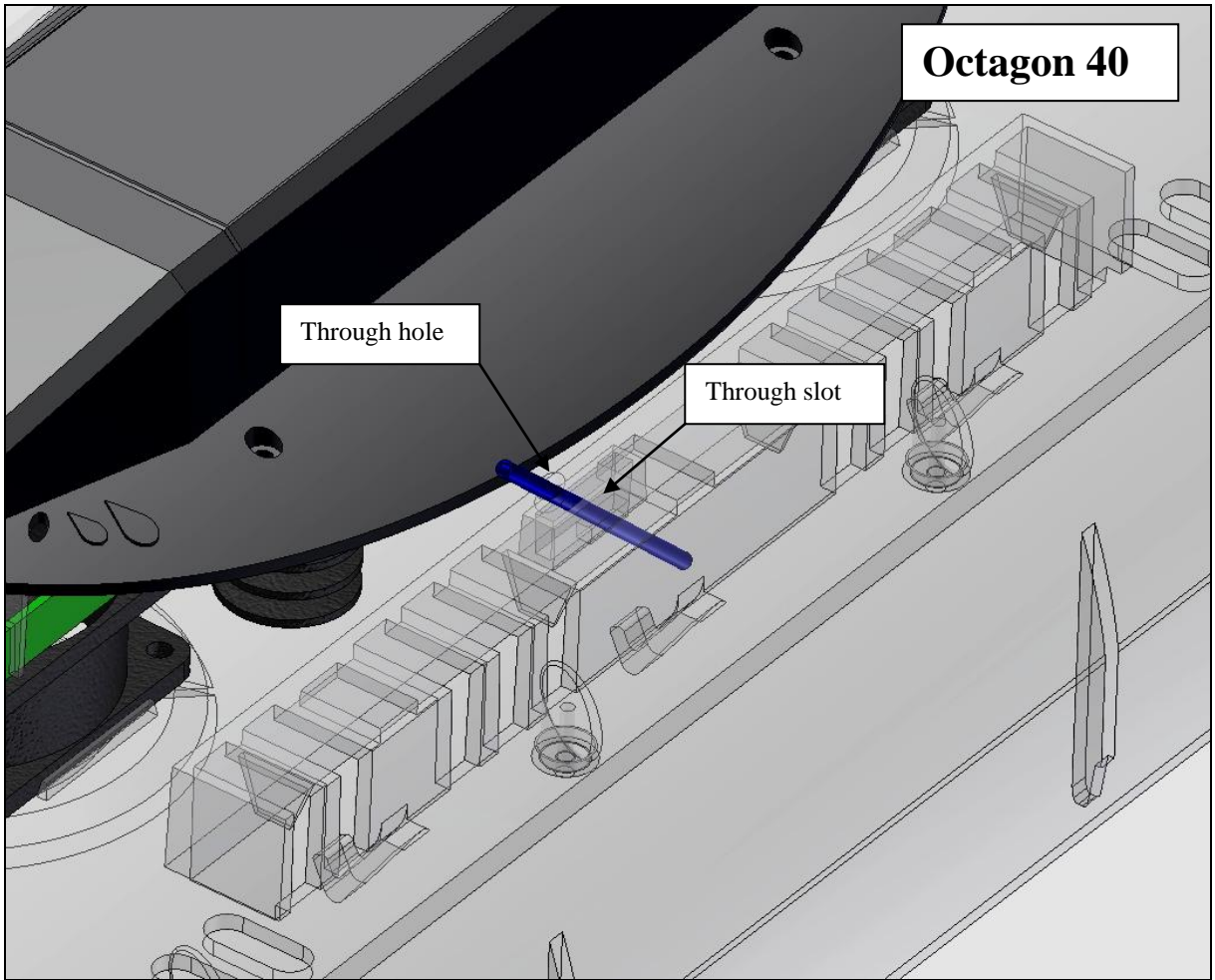


- 3.4 Fit the Cable Cover and tighten the screw. *Do not operate the incubator without the Cable Cover in place. Ensure the cable is not crushed or pinched when the cover is fitted.* The cover is designed to prevent splashes of water reaching the electrical sockets and it clamps the cables to prevent the connectors coming loose.

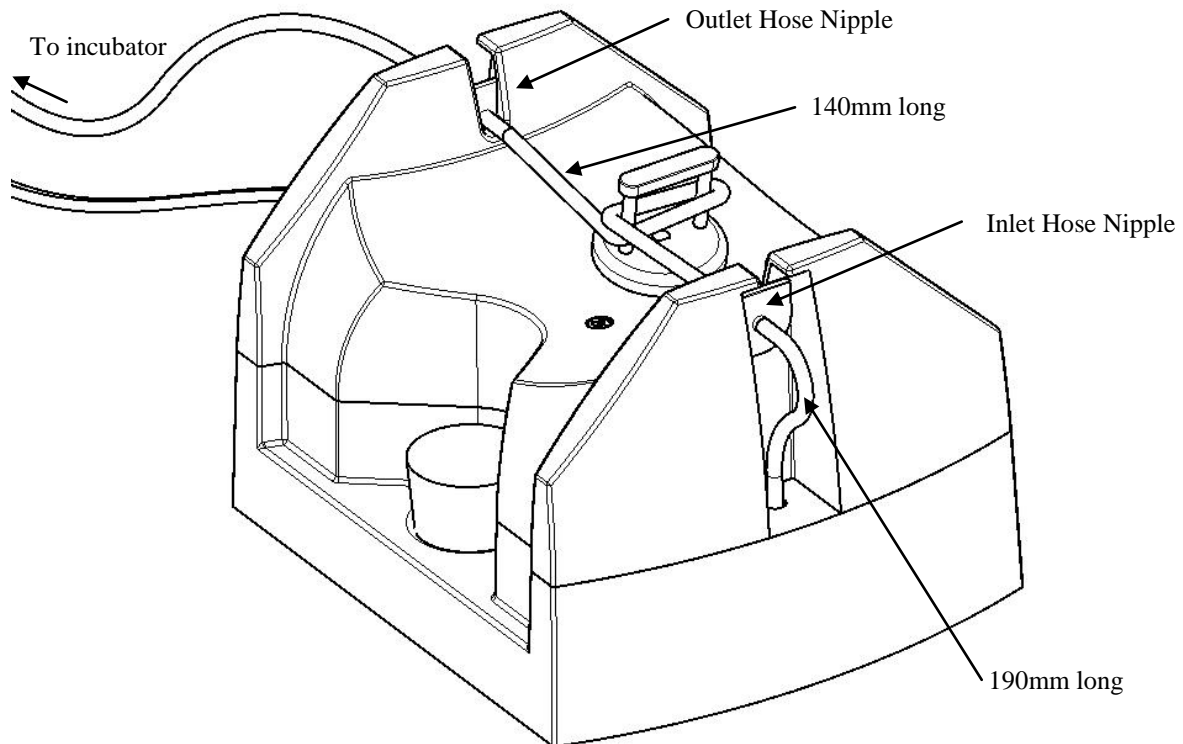


- 3.5 Cut a suitable length of silicone tube to go between the incubator and the Humidity Pump (approximately 500mm / 20”).
- 3.6 Fit the rigid plastic tube into one end of the silicone tube by 12mm / ½”. The shorter tube is for the Octagon 40 where supplied.
- 3.7 **ENSURE THE INCUBATOR IS UNPLUGGED FROM THE ELECTRICITY SUPPLY.** Pass the free end of the rigid plastic tube through the hole in the incubator top and down through the hole in the fan guard.

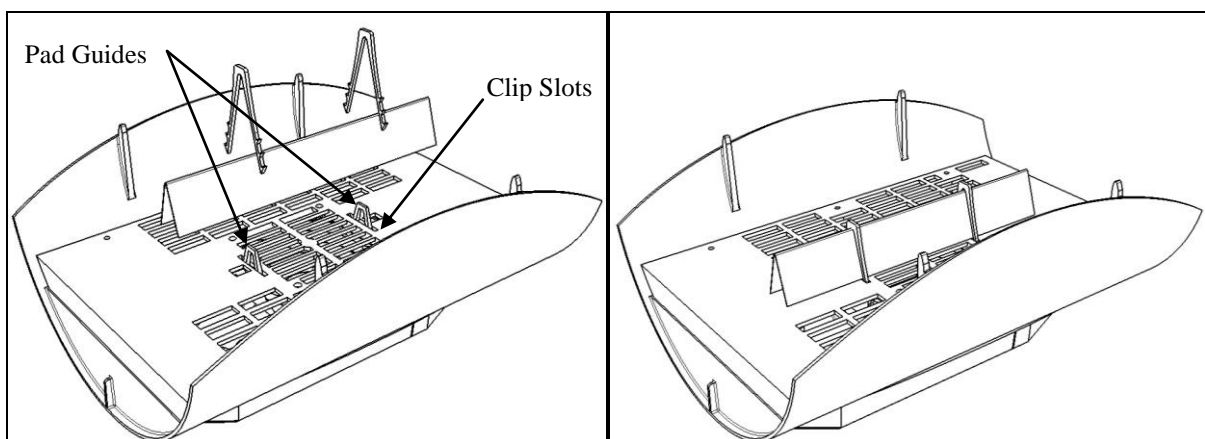




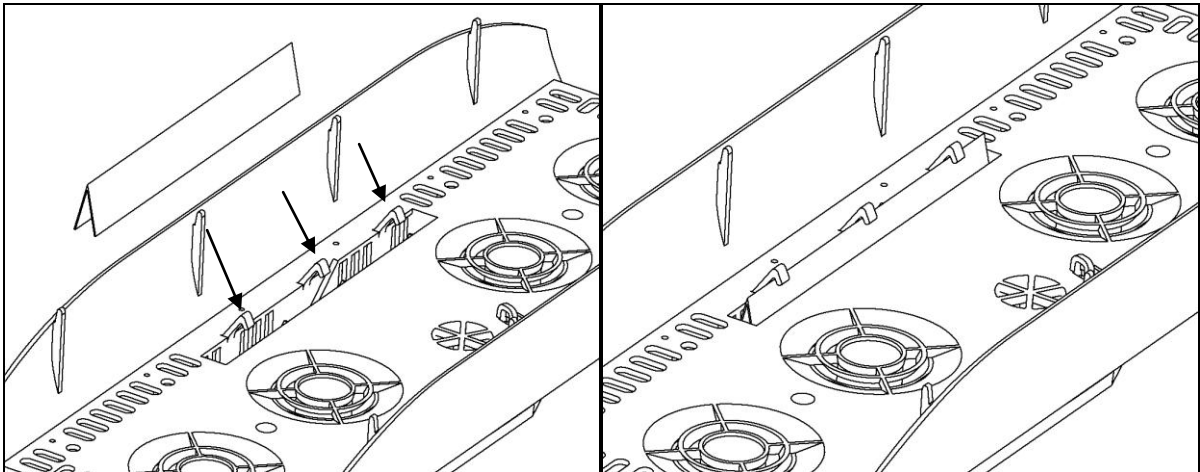
- 3.8 The Advance Humidity Pump is supplied with a length of silicone tube to be fitted around the pump rotor. This length will wear and need periodic replacement. It can also become flattened if left unused for some time because the inside walls of the tube will stick to each other around the rotor and prevent water passing through. Either replace this length of tube with a new 140mm (5 ½") length or remove it and roll it between finger and thumb to 'un-stick' it.
- 3.9 Cut a 190mm (7 ½") length of silicone tube and fit to the pump inlet hose nipple (at the right end of the pump). Pass this tube through the hole in the yellow moulding down into the water tank. Allow a loop as shown to prevent kinks.
- 3.10 Fit the silicone tube from the incubator to the outlet hose nipple.



- 3.11 Fold a pre-cut evaporating pad lengthways into a V shape.
- 3.12 **OCTAGON 20** - Place over the pad guides and then secure with the two yellow pad clips. These should be gently squeezed and fitted into the retaining slots in the fan guard as shown:-

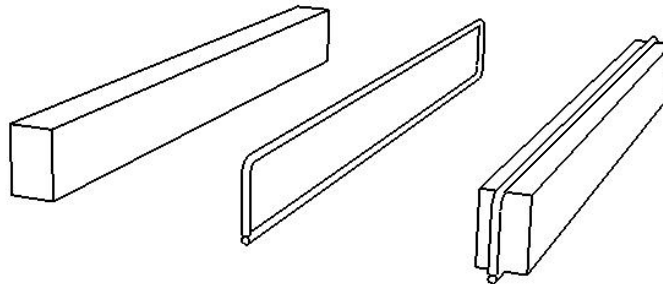


- 3.13 **OCTAGON 40** – Tuck the pad under the three retaining hooks. Ensure the pad stays open in a V shape. Ensure the water tube is inside the V of the pad.



4 Egg Basket And Divider Cushions

- 4.1 Place the flat sheet of foam cushion in the bottom of the egg basket(s).
- 4.2 Fit the divider cushion strips inside each wire divider as shown:-



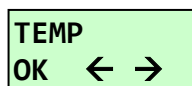
- 4.3 The dividers may be spaced so that eggs roll slightly between the cushions as the cradle turns the incubator. This may be useful to increase egg turning angle.

5 Operation

The scope of these instructions is limited solely to the humidity control system of Brinsea Octagon Advance Incubators. Please read the user instructions supplied with the incubator itself for full details of all aspects of operating the incubator.

NOTE: The pump will not operate if the incubator temperature is significantly below the set temperature. This prevents flooding when the lid is removed.

- 5.1 Fill the water tank to no higher than the bottom of the yellow moulding with clean water and fit the rubber bung in the filler hole. **DO NOT IMMERSE THE PUMP.**
- 5.2 Read the operating instructions supplied with the Octagon 20 or 40 Advance Incubator for full details of how to set up and operate the incubator. **Set the vent to its mid position. Refer to the “Main Menu Quick Reference” on page 3.**
- 5.3 Open the main menu by pressing the – and + buttons simultaneously.



Press the + button once to move to the RH% option.

RH%
OK ← →

Press OK to select.

RH 20%
EX ONLY

The – and + buttons may now be used to select the desired Set Humidity Level.

RH 45%
EX ONLY

Once correct press OK. Scroll to the Save option using the + button and press OK to save the new humidity setting.

SAVE
OK ← →

- 5.4 If the humidity level in the incubator is lower than the Set Humidity Level the pump will start to turn and gradually draw water from the tank and pump it to the evaporating pad in the incubator. This may take approximately one hour to stabilise after which the pump will run intermittently as the humidity level is controlled.
- 5.5 The humidity level may fluctuate slightly about the Set Humidity Level by 1 or 2 %. This is quite normal. Note that the humidity control system can only increase the humidity level, not reduce it.
- 5.6 Guidelines for incubation humidity levels:

		RH
During incubation:	Poultry	40-50%
	Waterfowl	45-55%
	Ratites	20-35%
	Parrots	35-45%
	Most Birds of Prey	40-45%
	(Thin shelled - Merlins, Kestrels, Owls)	50%
Hatching	All species	65% RH or more

For more specific information on particular species' requirements check the relevant literature.

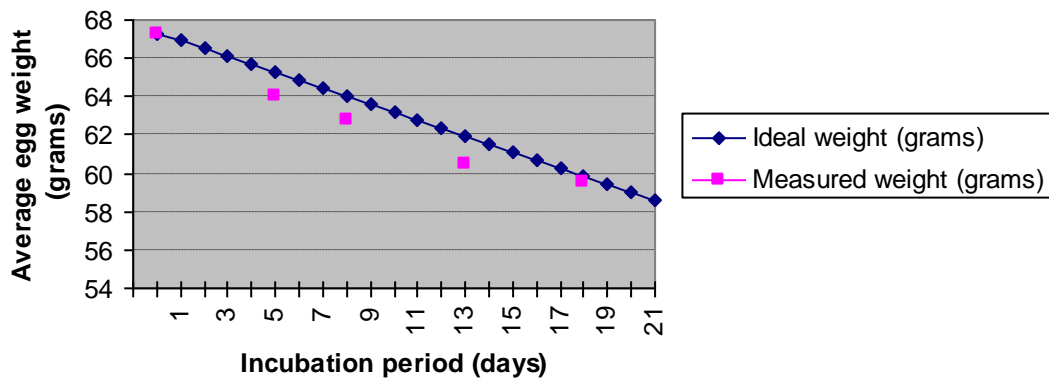
- 5.7 To determine the correct humidity level for any given species either consult available literature (a range of bird keeping and breeding books is available from Brinsea Products at the address below) or experiment with different humidity levels and record which proved most successful or weigh eggs during incubation. Eggs lose moisture through their shells and the rate of evaporation depends on the humidity levels around the eggs. During incubation eggs need to lose a fixed amount of water which corresponds to a loss in weight of around 13-16% depending on species. By weighing eggs periodically during incubation it is possible to monitor and, if necessary, correct humidity levels to achieve the correct weight loss.

Weigh the eggs on the day they are set in the incubator, take the average weight and plot this on a graph (see example below). The ideal weight loss line can be plotted by joining the point representing initial average weight with the ideal hatch weight (13-16% less depending on species) with the x-axis representing the incubation period (in days).

By measuring actual average weights every few days the actual weight loss can be plotted and compared to the ideal weight loss line and corrections can be made. For example if the actual weight loss was greater than ideal (see graph below) then the air has been too dry and humidity levels need to be increased to compensate.

Typical ideal weight losses for species groups:	Poultry	13%
	Waterfowl	14%
	Birds of prey	18%
	Ratites	15%
	Parrots	16%

Egg weight loss chart



6 Routine Maintenance

6.1 Changing the pump tube:-

The peristaltic pump will need to have its tube replaced about every 3 months. Cut a length of tube to about 140mm. Remove the connectors and pull off the old tube. Replace with the new tube, avoiding twists. Use the diagram on the product label to thread the tube exactly as shown over the pump head. The tension must be sufficient to ensure complete occlusion of the tube without unnecessary flattening between the pump rollers. Adjust tube length as necessary. Ensure that the tube does not stick together if left for long periods by unhooking it during storage.

6.2 Changing the evaporating pad:-

Change the pad as necessary to maintain good evaporating efficiency. If chicks are to be hatched in the incubator, change the pad after each hatch to avoid bacterial contamination.

6.3 No lubrication or further servicing is required beyond the instructions above.

7 Troubleshooting

The control system may be set to control between 20 and 80% RH. In practice the minimum and maximum levels of humidity achievable in an incubator depend upon several factors, particularly the fresh air ventilation rate. You may need to allow 24 hours for humidity to stabilise after making changes.

If you cannot get the level of RH you want, consider these notes:

7.1 Humidity will not go low enough:-

First increase the fresh air ventilation level. This will help to dilute the moisture given up by the eggs. There will still remain a lower limit determined by the moisture content of the ambient air, particularly in warm humid conditions. This can only be countered by dehumidification of the room air outside the incubator with proprietary dehumidifier but is rarely a problem in practice except with ratites.

7.2 Humidity will not go high enough:-

Restrict fresh air ventilation to the minimum safe level. Remember embryos need to breathe! Increase evaporating pad area. If the pad is too small, you may have a flood in your incubator.

Check that water is reaching the incubator when the pump runs – if not check the whole length of the tubing for kinks and check that the tubing around the pump has not become permanently flattened. If it has, replace the pump tube. Silicone tubing is very flexible but can be damaged by sharp finger nails. A tiny perforation on the suction side of the pump will let in air and prevent the pump drawing water.

8 Servicing and Calibration

8.1 In case of failure first check the signal cable is securely connected to the incubator.

8.2 The pump motor will only operate when an asterisk “*” is shown next to the RH% display on the incubator. If this is not shown check the Set Humidity Level referring to section 5. The asterisk and pump output are only on when the measured humidity is lower than the Set Humidity Level. The pump output is switched on intermittently once the measured humidity is within 6% of the Set Humidity Level.

8.3 The pump motor is easily replaced if necessary using basic tools. Instructions are supplied.

8.4 The digital humidity sensor is individually calibrated during manufacture but may be re-calibrated if required. To ensure optimal performance return the incubator to Brinsea Products Service dept. for re-calibration every two years. It is not recommended that this procedure is carried out by the user.

BE CAUTIOUS OF LOW COST ANALOGUE OR DIGITAL HYGROMETERS. BRINSEA PRODUCTS USES SOPHISTICATED EQUIPMENT TRACEABLE TO INTERNATIONAL REFERENCE STANDARDS.

Refer to the incubator instructions for details on calibration technique.

8.5 Spare evaporating pads and silicone tube are available from Brinsea Products Ltd at the address below.

9 Specification

Sensor:	Sensor accuracy +/- 3%. Hysteresis 0% R.H Response time less than 4 seconds
Water Transfer:	In-built peristaltic pump Maximum water flow rate 30g/hour
Tank Capacity:	1L
Control setting and metering:	Indicated in % RH
Dimensions:	15cm x 12.5cm x 14cm (W x D x H)
Weight (dry):	0.6 Kg



Used electrical and electronic products should not be mixed with general household waste. For proper treatment, recovery and recycling, please take this product to a designated collection point where it will be accepted free of charge.

Please contact your local authority for further details of your nearest designated collection point.

Disposing of this product correctly will help save valuable resources and prevent any potential negative effects on human health and the environment, which could otherwise arise from inappropriate waste handling.

Brinsea Products Ltd, 32-33 Buckingham Road, Weston Industrial Estate,
Weston-super-Mare, N. Somerset, BS24 9BG
Tel: +44 (0) 845 226 0120 Fax: +44 (0) 1934 708177
e-mail: sales@brinsea.co.uk, website: www.Brinsea.co.uk

Declaration of Conformity

We: BRINSEA PRODUCTS LTD.
32-33 Buckingham Road
Weston Industrial Estate
Weston-super-Mare
North Somerset
BS24 9BG

Declare under our sole responsibility the products:

Advance Humidity Pump (accessory for incubators)

Serial numbers AD24/xxxxxxxx, AD25/xxxxxxxx and AD44/xxxxxxxx

to which this declaration relates are in conformity with the following EU Directives:

2006/42/EC Machinery Directive
2004/108/EC Electromagnetic Compatibility Directive
2011/65/EU Restriction on the use of Certain Hazardous Substances in Electrical and Electronic Equipment Regulations

The relevant sections of the following Standards have been used:

EN 60335-1:2012
EN 60335-2-71:2003+A1:2007
EN 55014-1:2006+A2:2011
EN 55014-2:1997+A2:2008
EN 50581:2012

The technical documentation for the products is available from the above address.

Authorised Representative: Ian Pearce, Managing Director

Signature:

Date of Issue: 27/11/2014

Place of Issue: 32-33 Buckingham Road, Weston Industrial Estate, Weston-super-Mare, North Somerset, BS24 9BG, United Kingdom.