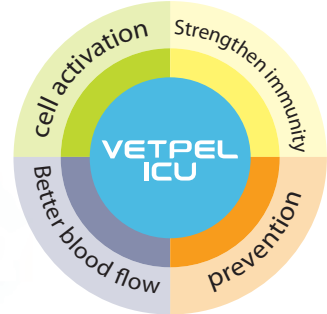




# Which animal hospital would you choose?

Specialized intensive care units designed for optimum comfort, care and control.



**VETPEL.ICU**

**NEW EDITION**



# VETPEL.ICU

Intensive Care Unit

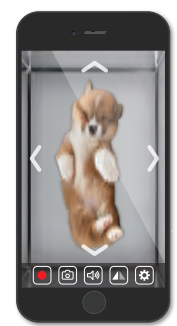


**1**  
WORLD CLASS PRODUCT OF KOREA

세계일류상품



IP Camera



▲ UX-U900

## MAIN FUNCTIONS

- ▷ Exterior design and GUI, providing stability and confidence
- ▷ Reflects veterinarian's opinions taken at the product concept, leading to optimized design for actual medical situations
- ▷ Large, touch-screen LCD
- ▷ Automatic control and settings for Temperature, Humidity, Carbon Dioxide
- ▷ Floor Cooling System (UX-U900 model)
- ▷ Control and setting of CO2 concentration (UX-U900 model)
- ▷ Stainless material, easy to sterilize for effective sanitation management
- ▷ AI(Artificial Intelligence) electronic controller which can automatically control adjusting cycle depending on ambient environment of the machine
- ▷ Auto Ventilation function to raise oxygen saturation
- ▷ Auto Ventilation function to lower carbon dioxide concentration
- ▷ Double insulated structure and ability to distinguish bottom temperature from air temperature, which makes the machine's inside temperature more accurate
- ▷ Transparent tempered glass window to easily check the condition of the pet

## EASY FUNCTIONS

- ▷ Treatment time settings and alarm function
- ▷ LED indoor lamp, IR lamp and UVC(Preventing Spread of Viruses) lamp
- ▷ Quick button on the home screen for easy control of three kinds of lamp, fan and Timer functions
- ▷ Modular assembly for easy repair and replacement of parts
- ▷ Hand access to enable pet treatment without opening the window
- ▷ Built-in outlet to power external devices
- ▷ Stand Pole to easily install various devices
- ▷ GUI with enhanced stability and confidence, providing multi language(English, German, Spanish, Portuguese, Russian, Korean, Chinese, Japanese, Arabic)

## OTHER FUNCTIONS

- ▷ IP camera function (UX-U900 model) for real-time internal video viewing on mobile and smart phone
- ▷ BLDC Fan is embedded in the incubator to control indoor-environment
- ▷ Independent humidity system, which is easy to use and manage
- ▷ Built in Alarm function in case of machine failure(abnormal high temperature, abnormal high concentration of carbon dioxide)
- ▷ Designed to stack machines on two levels for space efficiency
- ▷ Detachable wheels for convenient moving



### Smart GUI



7-inch touch screen for ease-of-use and operation

### Based on the needs and requirements of real veterinary professionals



Reflects veterinarian's opinions taken at the product concept, leading to optimized design for actual medical situations

### IR, Internal light, UVC Lamp



Built-in 3 different kinds of lamps not only to brighten inside of the machine(LED Lamp), but to have infrared heat function and to have UVC disinfection system

### Hand Access



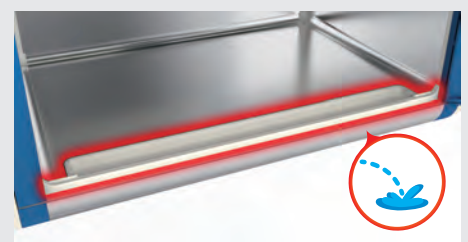
Hand access to enable pet treatment without opening a window

### Stainless Steel Chamber



Stainless chamber to enhance durability and sanitation management

### Waste Tray



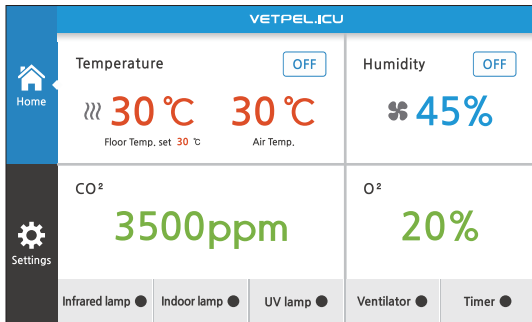
Waste tray for easy animal waste removal

# VETPEL has become a lifeline in my practice

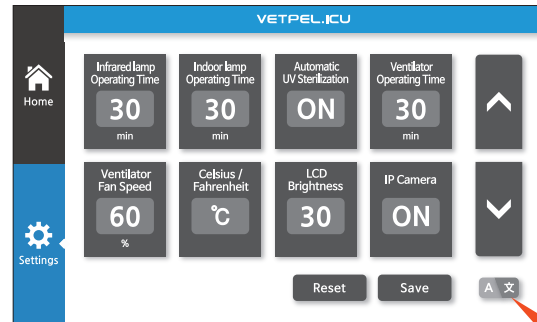
The technology carving out a future



## LCD DISPLAY



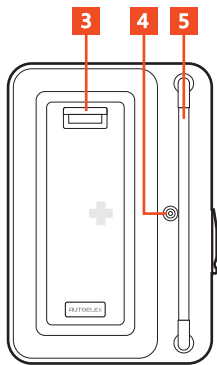
Home (Based on UX-U900 model)  
7-inch big LCD, for easy and precise control



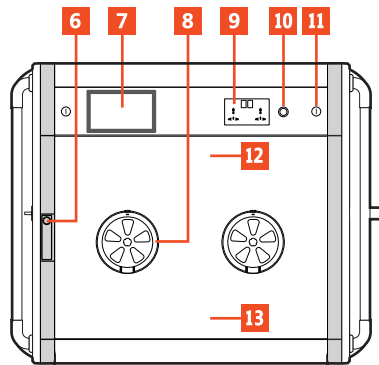
Setting (Based on UX-U900 model)  
NEW interface where you can easily control every function

Language settings

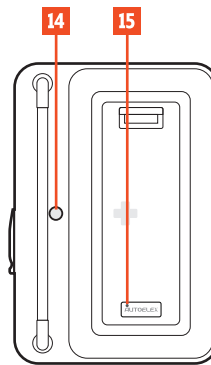
## IDENTIFICATION OF PARTS



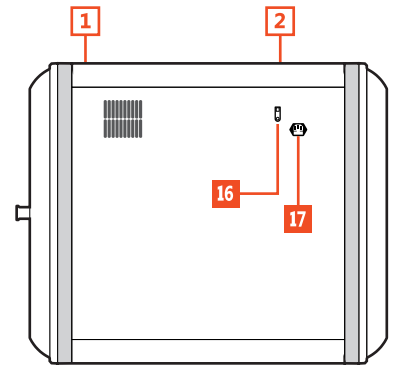
Left side



Front side



Right side



Back side

- 1 IV stand holder hole (top)
- 2 Upper side maintenance lever – both sides
- 3 Handle – both side
- 4 Hole to link with oxygen tank
- 5 Stand Pole (holder for peripherals) – both sides
- 6 Door locks
- 7 LCD touch screen
- 8 Hand access window
- 9 Exteral outlet (2 outlets)  
※ Its shape depends on specfications for each country.
- 10 Power button
- 11 Front maintenance lever – both sides
- 12 Internal: IR, internal, and UVC lamps, IPcamera
- 13 Internal: chamber, Waste Tray
- 14 Power panel of humidifier
- 15 Power panel of humidifier
- 16 Leakage circuit breaker
- 17 Power input socket

## INTERIOR



LCD Touch Screen



Hand Access Window



Connecting Hole For Oxygen Tank



Built-in Control Module



Stainless Steel Chamber



Safety Lock System



Stand Pole



Outlet Socker



LED Lamp



IR Lamp



UVC Lamp



Handle

▼ Nebulizer, oxygen tank can be used with our goods (Optional)



VETPEL offers the best in luxury and practicality for your business.

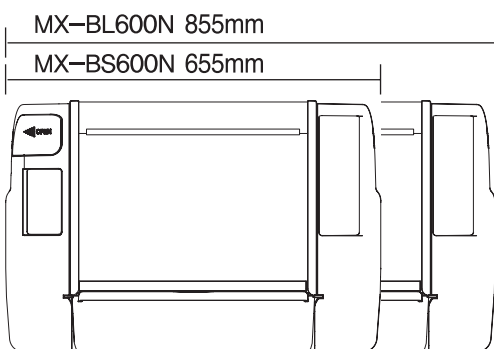


VETPEL & PET Brooder(MX-BL600N model) Image



VETPEL Stack-up Image

※ For safety reasons, we recommend a maximum stacking height of 2x VETPEL units.



Pet Brooder & ICU have two different sizes.

VETPEL SPECIFICATION

Model No.	UX-U900	PX-U900	MX-U900
Display	LCD (Touch Screen)	LCD (Touch Screen)	FND
Power	AC 100 ~ 120[V] / 220 ~ 240[V] 50/60[Hz]		
Power Consumption	Average. 95[W]	Average: 90[W]	Average: 85[W]
Controllable temperature range	MAX. 50[°C] MAX. 122[°F]	MAX. 50[°C] MAX. 122[°F]	MAX. 50[°C] MAX. 122[°F]
Temperature of external environment	Optimum range 20 ~ 25[°C] 68 ~ 77[°F]		
Controllable humidity range	MAX. 70[%]		
Humidity of external environment	MAX. 60[%]		
Controllable oxygen concentration range	MAX. 40[%]	X	X
Controllable carbon dioxide range	MAX. 4000[ppm]	MAX. 4000[ppm]	X
Weight	57[kg] (N.W.) 63[kg] (G.W)	56[kg] (N.W.) 62[kg] (G.W)	55[kg] (N.W.) 61[kg] (G.W)
Size	External	W 916 x L 532 x H 768[mm]	
	Internal	-with installation of rotation wheel H 832[mm]	
		W 692 x L 470 x H 494[mm]	



▲ MX-BS600N / MX-BL600N

Rcom Pet Brooder&ICU

Consists of several functions suitable for both home and veterinary treatment of pets. You can set the optimal recovery environment according to pet's health condition.

Basic specification *Option: Nebulizer	FND Display	Air filter
	Automatic temp. setting Function	Anion function [odor remove]
	Automatic Humi. setting Function	Water pump
	LED Lamp	Micro processor controller
	Tray	PTC Heater
	Air ventilation + Humidification fan	View window

# R.COM VETPEL.ICU Model

Available for optimal environment settings depending on pet's condition

Function / Model No.	PRO+ (UX-U900)	PRO (PX-U900)	MAX (MX-U900)
Display	LCD(Touch)	LCD(Touch)	FND
Air temperature indicator	O	O	X
Floor temperature indicator and 3 ways of heating (PRO+ Range: MAX. 50°C / PRO, MAX Range: MAX. 50°C)	O	O	O
Floor Cooling System (Range: MAX. 50°C)	O	X	X
Oxygen concentration indicator (Range: MAX. 40%)	O	X	X
IP Camera	O	X	X
Carbon dioxide indicator and automatic carbon dioxide emission (Range: MAX. 4000ppm)	O	O	X
Automatic humidity emission	O	O	O
Humidity system (Display Range: MAX. 70%)	O	O	O
Treatment time settings and alarm function (Range: 0~24Hour, 1minute unit)	O	O	X
Control Fan speed (Range: 40~100%)	O	O	X
Alarm for high concentration of carbon dioxide	O	O	X
Alarm for abnormal high temperature	O	O	X
Multi-language display and controls (English, German, Spanish, Portuguese, Russian, Korean, Chinese, Japanese, Arabic)	O	O	X
IV stand holder hole	O	O	X
UVC Lamp	O	O	X
IR Lamp	O	O	O
LED Lamp	O	O	O
Ventilation device	Automatic	Automatic	semi- automatic
Waste Tray	O	O	O
Stand Pole to easily install various devices	O	O	O
Stand Pole to easily install various devices	O	O	O
Hand access window	O	O	O
External outlet (2 outlets)	O	O	O
Air filter	O	O	O
Leakage circuit breaker	O	O	O
Fixed rubber feet	O	O	O
Rotary wheel	O	O	Option